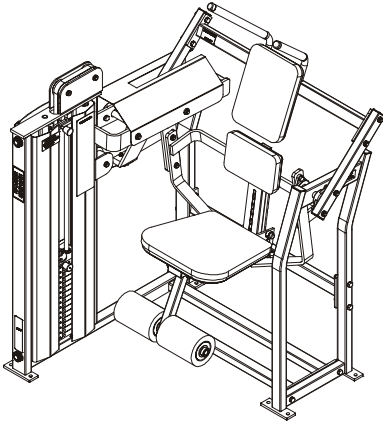




Motion Technology Abdominal Press



Contents

Abdominal Press Assembly

Top Assembly

Arm Link Assembly

Decals and Stickers

Parts and Descriptions

Right Side Frame

Decals and Stickers

Parts and Descriptions

Belt Routing

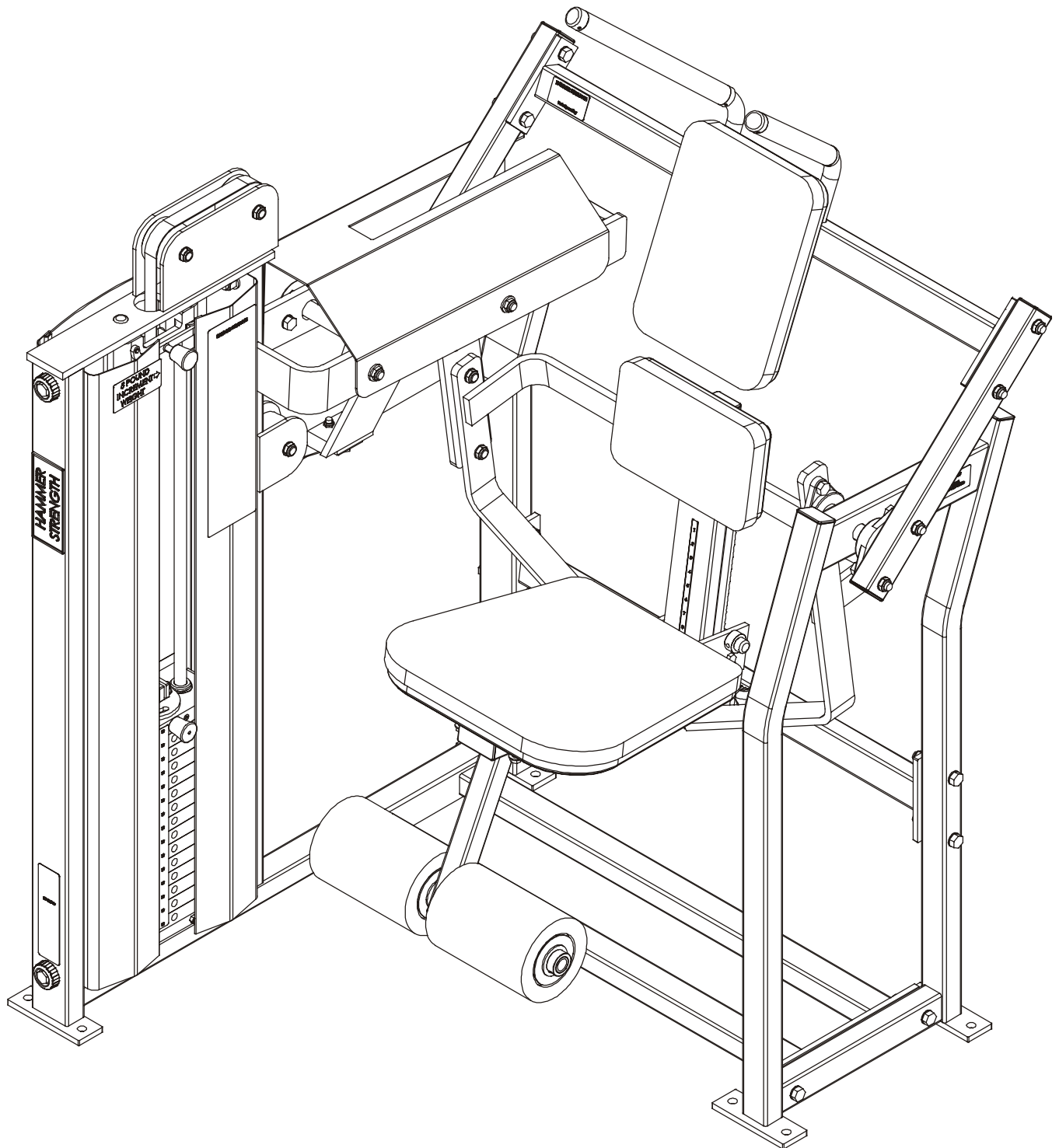
Lower Movement Arm

Upper Movement Arm

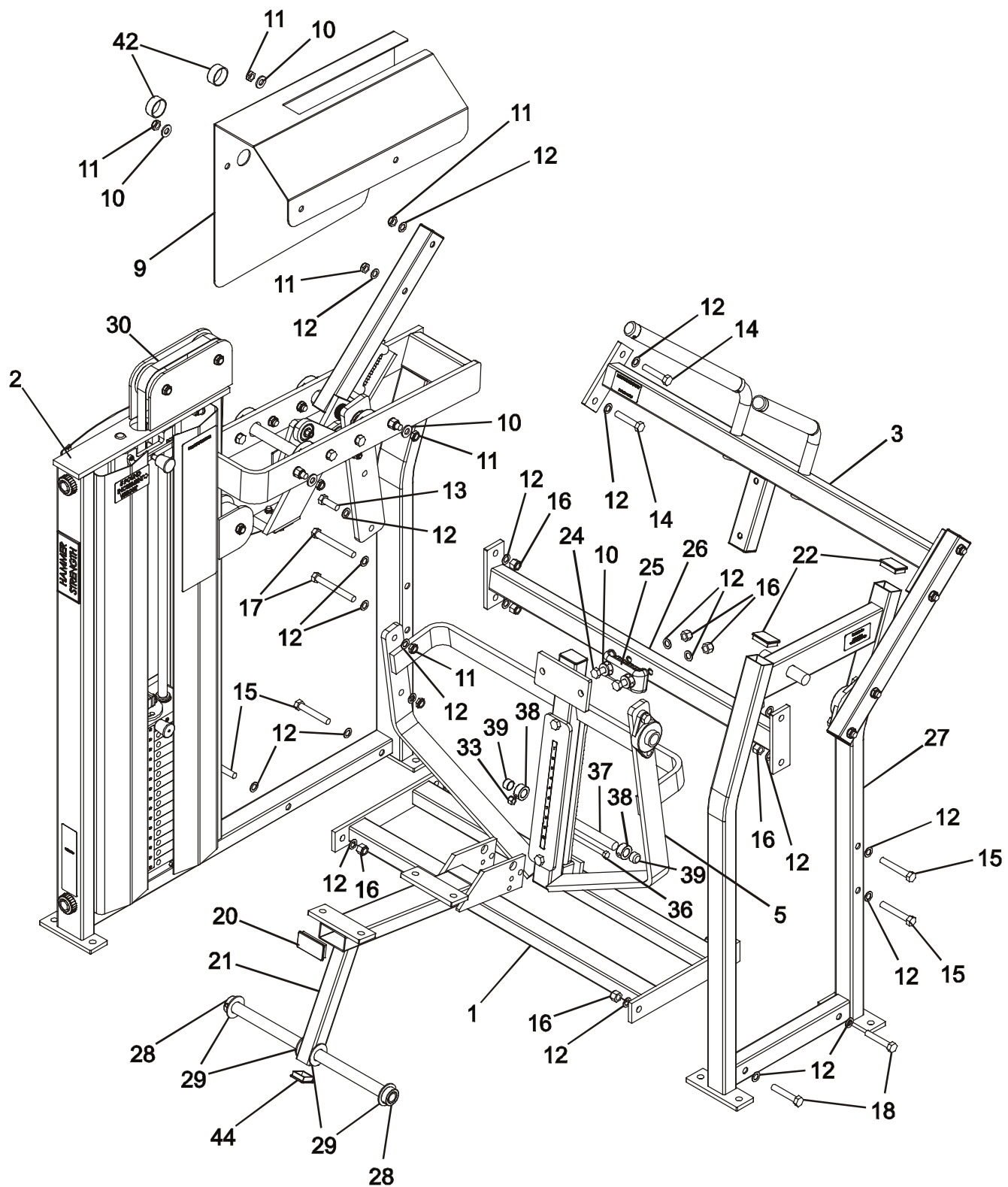
Pads

Seat Frame

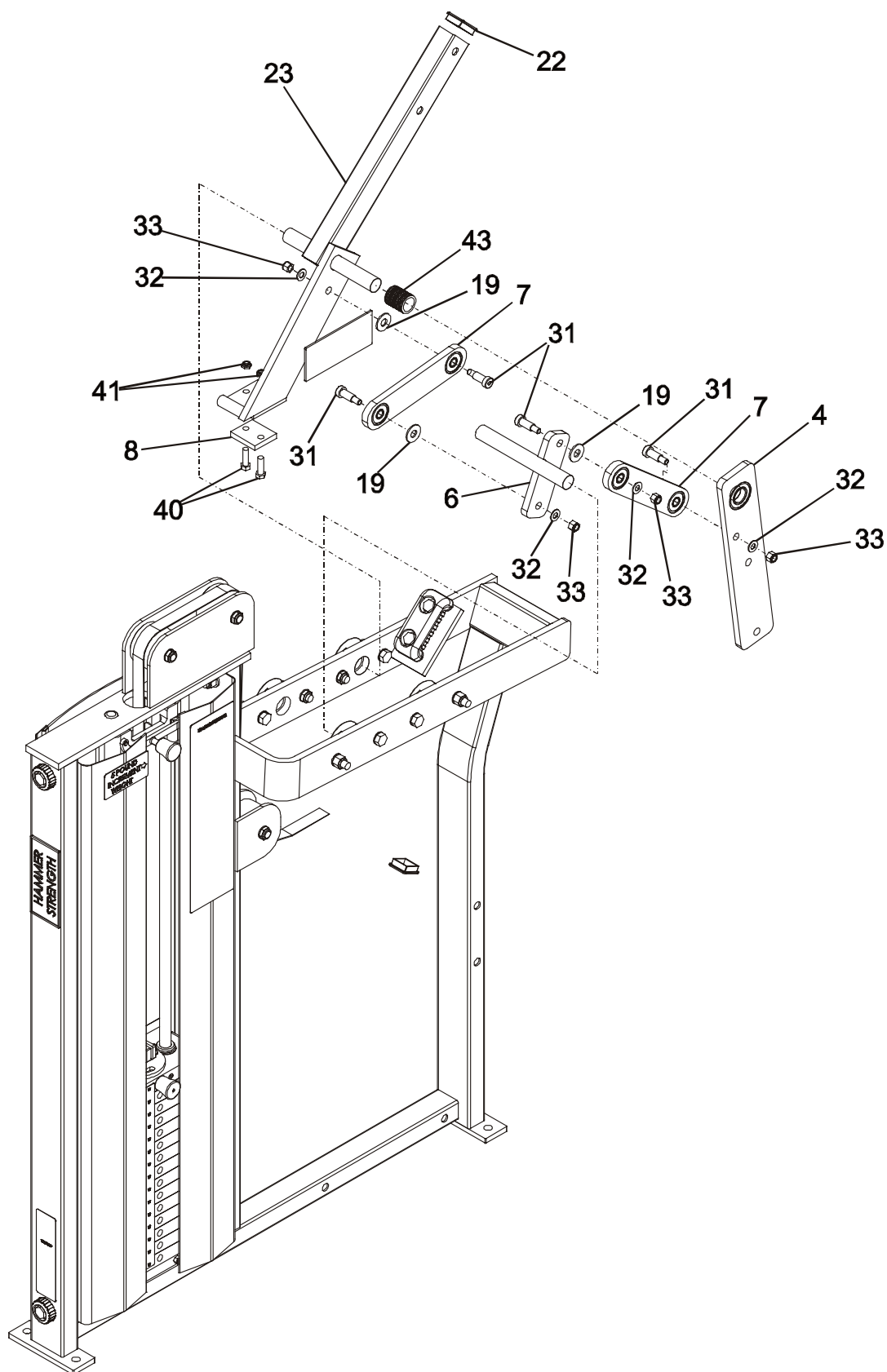
MTAB-Motion Technology Abdominal Press Abdominal Press Assembly



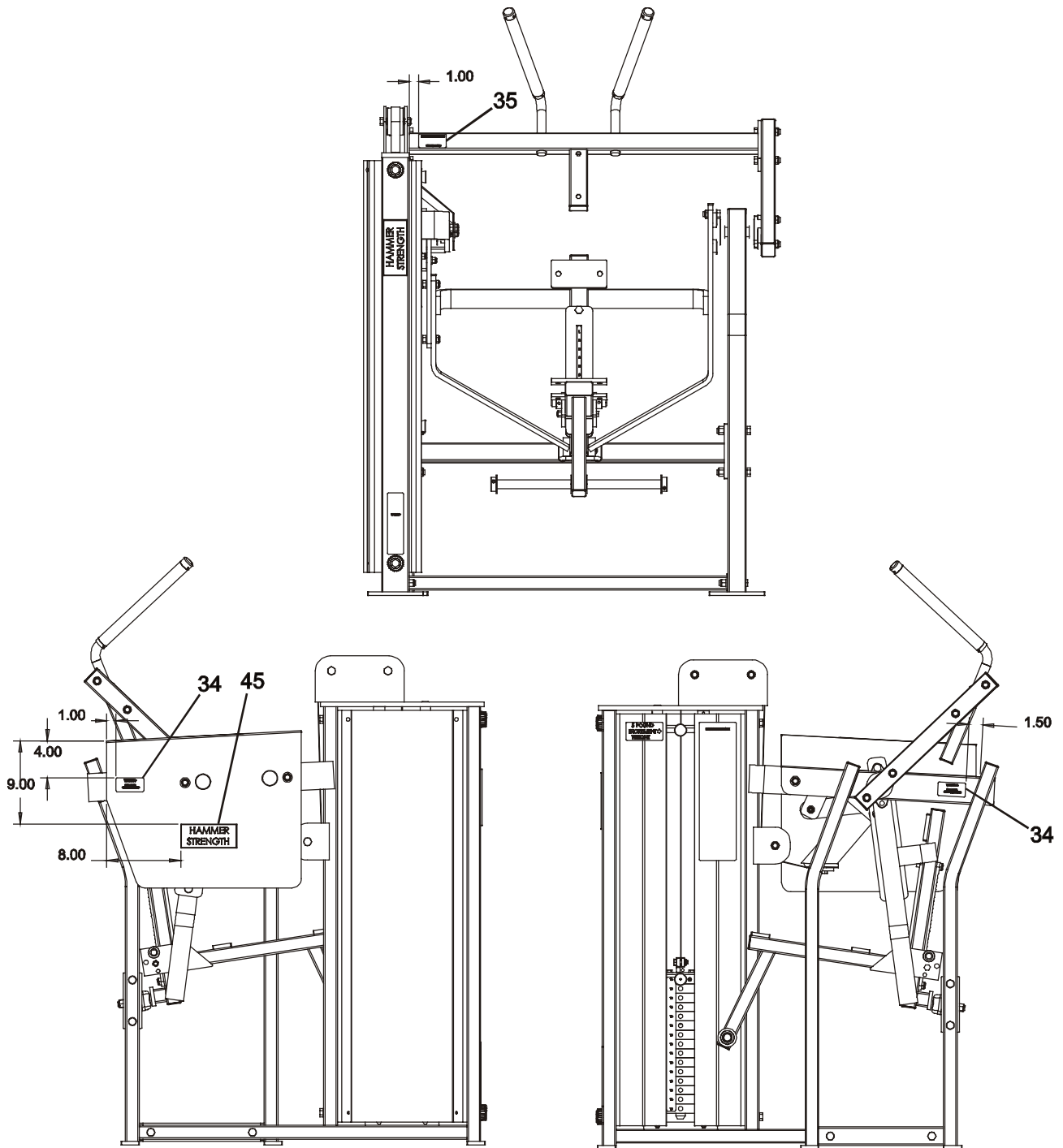
MTAB-Motion Technology Abdominal Press Top Assembly



MTAB-Motion Technology Abdominal Press Arm Link Assembly



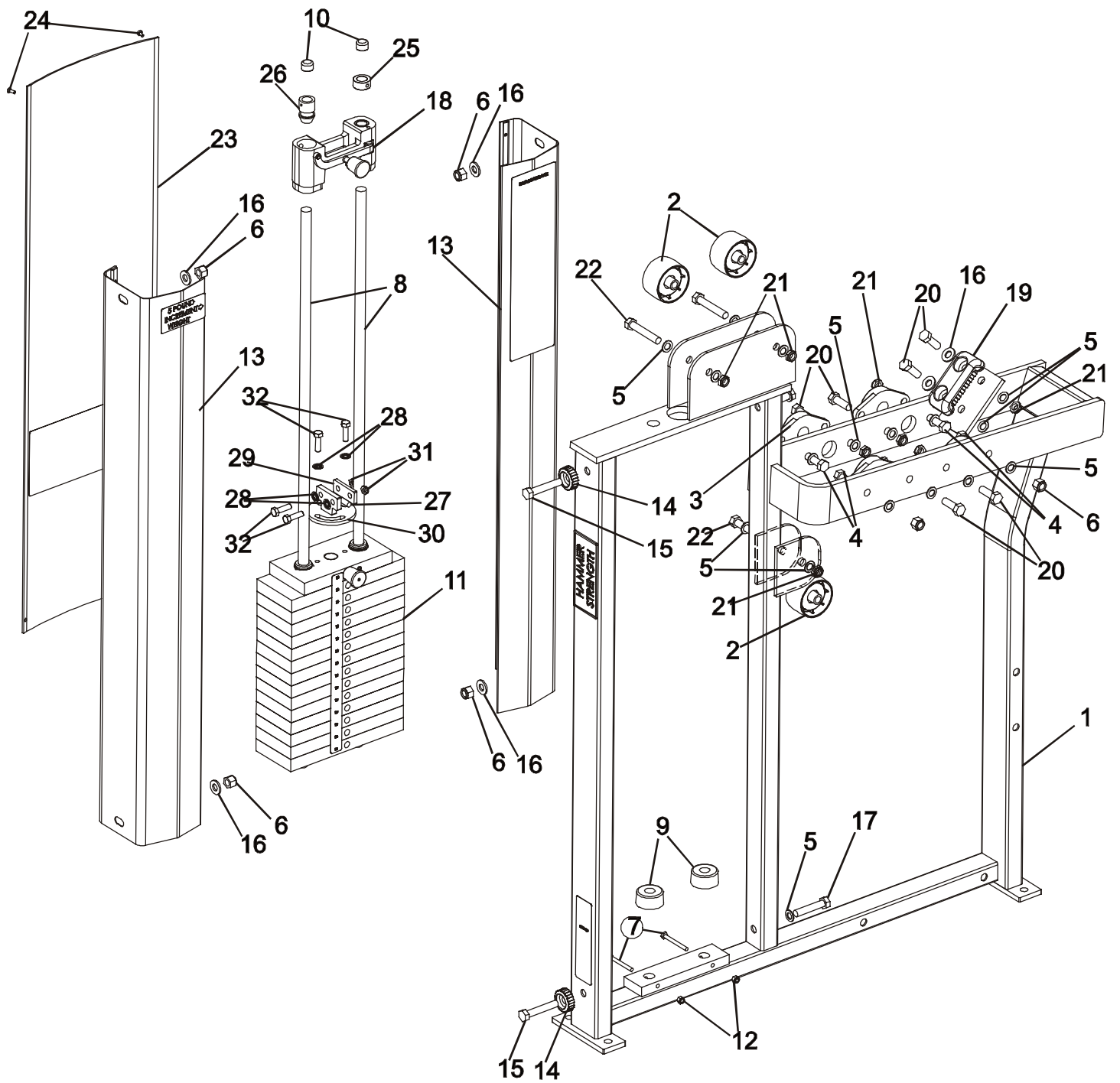
MTAB-Motion Technology Abdominal Press Decals and Stickers



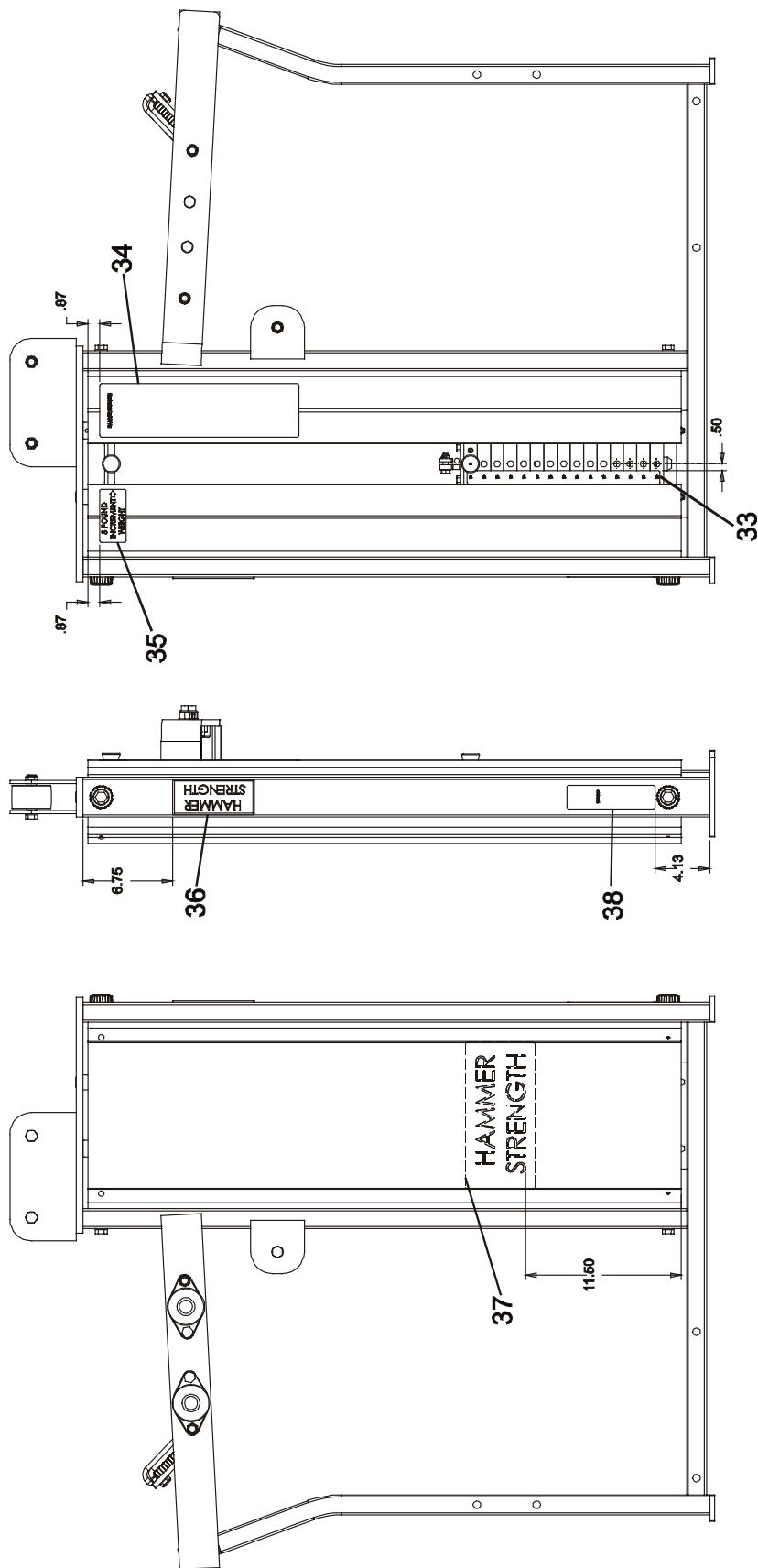
MTAB-Motion Technology Abdominal Press Part Numbers and Description Table

ITEM NO.	QTY.	PART NO.	DESCRIPTION
1	1	MTAB-S0003	Bottom Cross-Frame
2	1	MTAB-A0002	RIGHT SIDE FRAME ASSY.
3	1	MTAB-A0005	Upper Movement-Arm Assy
4	1	SK50-S0130-0000	Right-Lower MA Assy
5	1	MTAB-A0007	Lower Movement-Arm Assy
6	1	MTAB-S0009	AXLE WELDMENT
7	2	SK50-S0129-0000	Link Assy
8	1	MTAB-P0030	Strap plate
9	1	MTAB-P0035	GUARD
10	6	0017-00104-0311	1/2" SAE Flat Washer
11	8	0017-00103-0224	1/2" Thin Lock Nut
12	26	0017-00104-0379	1/2" Internal Lock Washer
13	2	0017-00101-1584	1/2 X 1 1/2 Bolt
14	2	0017-00101-1572	1/2 X 2 1/2 Bolt
15	4	0017-00101-1574	1/2 X 3 1/4 Bolt
16	10	0017-00103-0223	1/2" Thick Lock Nut
17	2	0017-00101-1576	1/2 X 4 1/4 Bolt
18	2	0017-00101-1573	1/2 X 2 3/4 Bolt
19	3	0017-00104-0390	WHT TEFLON FLAT WASHER
20	1	0017-00042-1038	1 1/2 X 3 End Cap
21	1	MTAB-S0011	MTAB SEAT FRAME
22	3	0017-00042-0945	1 1/2 X 2 Endcap
23	1	MTAB-S0006	Upper Movement-Arm
24	2	0017-00101-1582	1/2 X 3 Bolt
25	1	0017-00042-1040	HAMMER HEAD SMALL BUMPER
26	1	MTAB-S0004	Rear Cross-Frame
27	1	MTAB-S0001	Left Side-Frame
28	2	0017-00009-0942	1" ID SHAFT COLLAR BORED .020
29	4	0017-00104-1383	1.00" FLAT WASHER
30	1	0017-00033-0855(MTAB)	MTAB STRAP (76.00")
31	4	0017-00101-1657	.50"X 1.00" SHOULDER BOLT
32	4	0017-00104-0313	3/8" SAE Flat Washer
33	5	0017-00103-0229	3/8" Thick Lock Nut
34	2	M051-00293-A000	WARNING DECAL
35	1	M051-00299-A000	HAMMER PATENT DECAL
36	1	0017-00101-1567	3/8 X 4 1/4 Bolt
37	1	OK50-P1007	Standard Hammer Seat Shaft
38	2	0017-00009-1019	3/4" Lock Collar
39	2	0017-00042-0967	3/4 I.D. BLACK PLASTIC ROD CAP
40	2	0017-00101-1412	3/8 X 1 1/4 Bolt
41	2	0017-00103-0217	NUT 3/8 - NYLOC; THIN NY NO
42	2	0017-00042-0953	1.375 X .750 RED RUBBER CAP
43	1	0017-00042-1042.(MTAB)	BELLOW, PLASTIC (1.625")
44	1	0017-00042-0944	1-1/2 X 1-1/2 Endcap
45	1	M051-00289-A000	HAMMER STRENGTH NAME PLATE

MTAB-Motion Technology Abdominal Press Right Side Frame Assembly



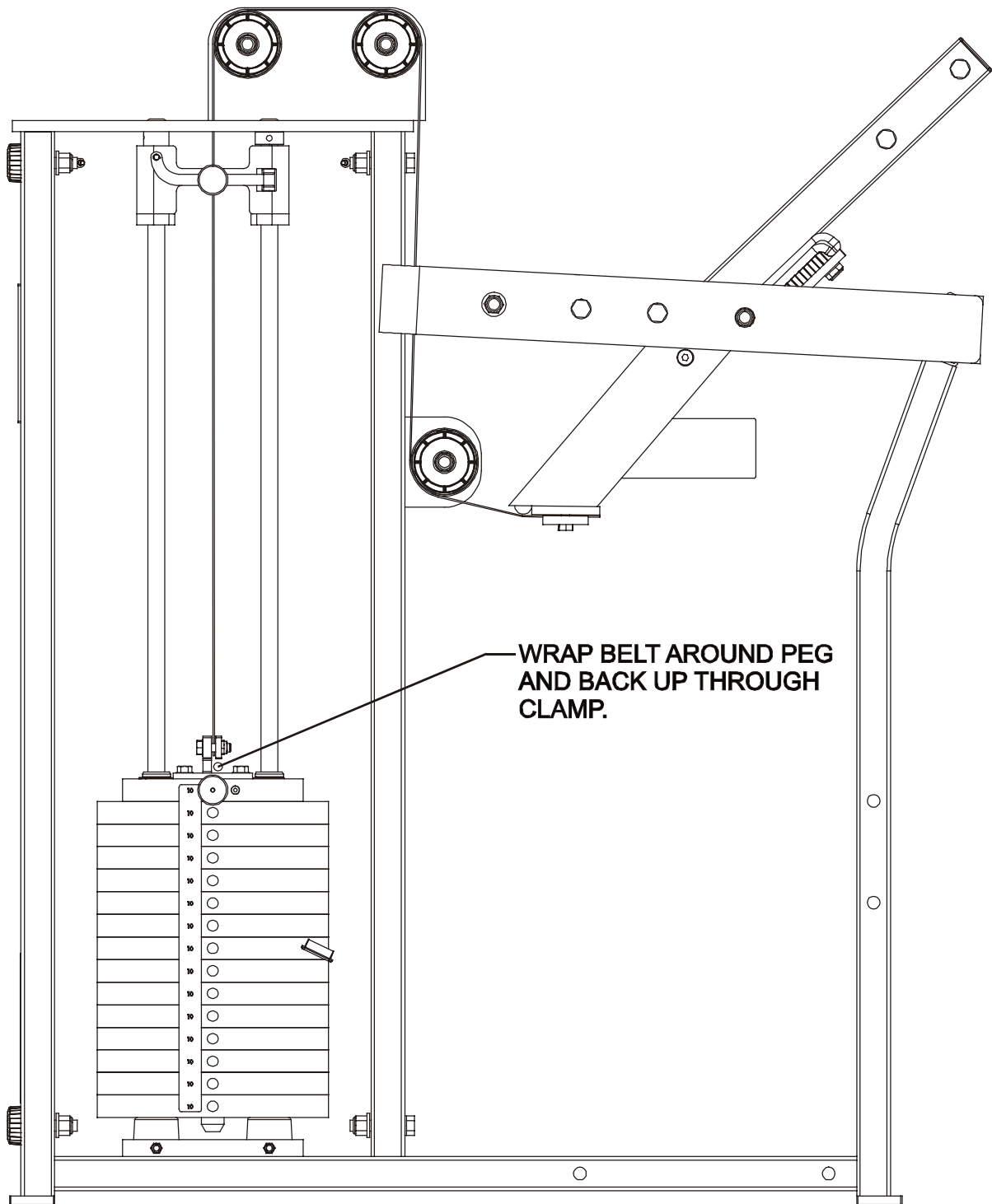
MTAB-Motion Technology Abdominal Press Decals and Stickers



MTAB-Motion Technology Abdominal Press Part Numbers and Description Table

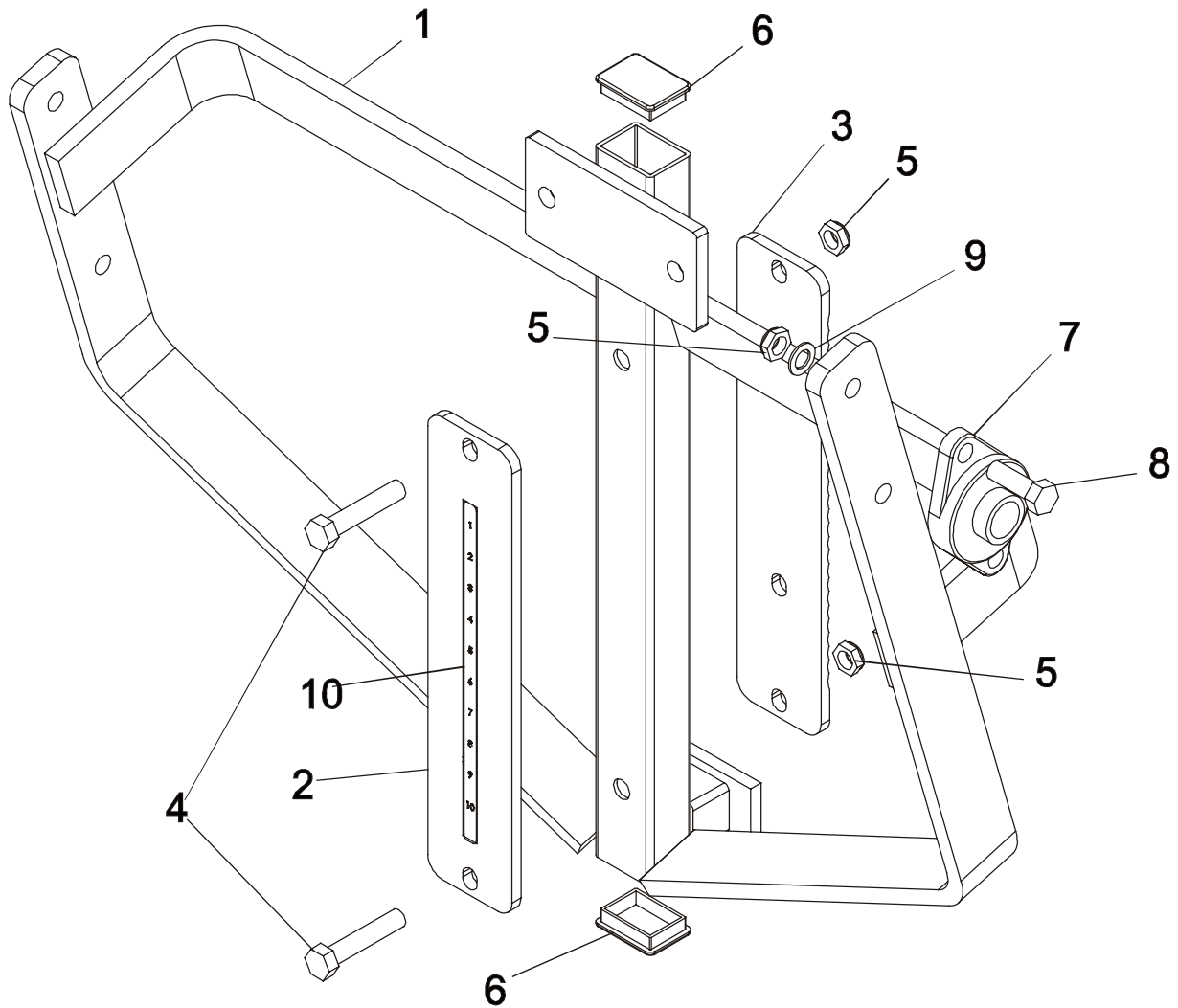
ITEM NO.	QTY.	PART NO.	DESCRIPTION
1	1	MTAB-S0002	Right Side-Frame
2	3	0017-00009-1039	3" PULLEY ASSEMBLY
3	4	0017-00009-1034	Small Bearing
4	4	0017-00101-1578	1/2 X 2 Bolt
5	18	0017-00104-0379	1/2" Internal Lock Washer
6	6	0017-00103-0223	1/2" Thick Lock Nut
7	2	0017-00101-1585	1/4 X 2 1/2 Bolt
8	2	0017-00009-0933(MTAB)	.75" DIA.CHROME ROD (45.38")
9	2	0017-00042-0993	WEIGHT STACK DONUT 1" THICK
10	2	0017-00042-0967	3/4 I.D. BLACK PLASTIC ROD CAP
11	1	AK50-WS018	MTS 150 LB WEIGHT STACK
12	2	0017-00103-0226	1/4" Thick Lock Nut
13	2	MTLC-P0130	MTS SIDE SHIELD
14	2	0017-00042-1041	HAMMER HEAD WASHER
15	2	0017-00101-1573	1/2 X 2 3/4 Bolt
16	6	0017-00104-0311	1/2" SAE Flat Washer
17	2	0017-00101-1572	1/2 X 2 1/2 Bolt
18	1	AK50-S0021	Increment Weight Assembly
19	1	0017-00042-1040	HAMMER HEAD SMALL BUMPER
20	6	0017-00101-1584	1/2 X 1 1/2 Bolt
21	11	0017-00103-0224	1/2" Thin Lock Nut
22	3	0017-00101-1582	1/2 X 3 Bolt
23	1	MTLC-P0131	SHIELD BACK PANEL
24	2	0017-00101-1587	SHIELD RIVET
25	1	0017-00009-1019	3/4" Lock Collar
26	1	OK50-P1110	GUIDE ROD COLLAR
27	1	OK50-P1132	BELT WRAP PEG
28	4	0017-00104-0377	WSH .375 INT LOCK ST ZN
29	1	OK50-P1121	Strap Clamp 2
30	1	AK50-S0023	BELT ATTACHMENT PLATE
31	2	0017-00103-0217	NUT 3/8 - NYLOC; THIN NY NO
32	4	0017-00101-1412	3/8-16 X 20 UNS HEX BLT G5 ZN
33	1	M051-00294-A000	WEIGHT STACK NUMBER STRIP
34	1	M051-00473-A000	MTS ABDOMINAL
35	1	M051-00297-A000	INCREMENT WT. DECAL (RIGHT)
36	1	M051-00289-A000	HAMMER STRENGTH NAME PLATE
37	1	M051-00292-A000	HAMMER STRENGTH SHIELD DECAL
38	1	M051-00335-A000	WARNING DECAL

MTAB-Motion Technology Abdominal Press Belt Routing



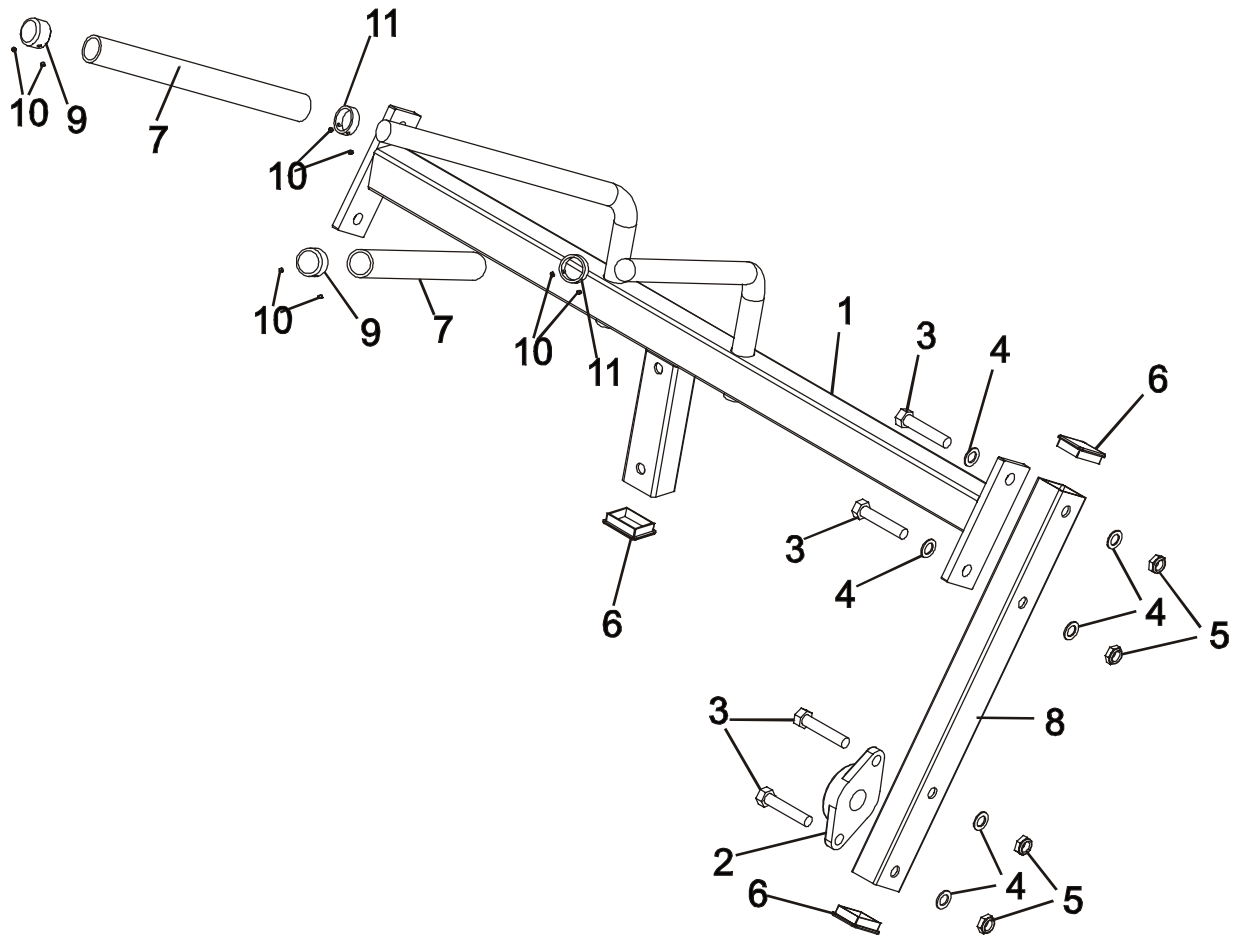
MTAB Belt Routing

MTAB-Motion Technology Abdominal Press Lower Movement Arm



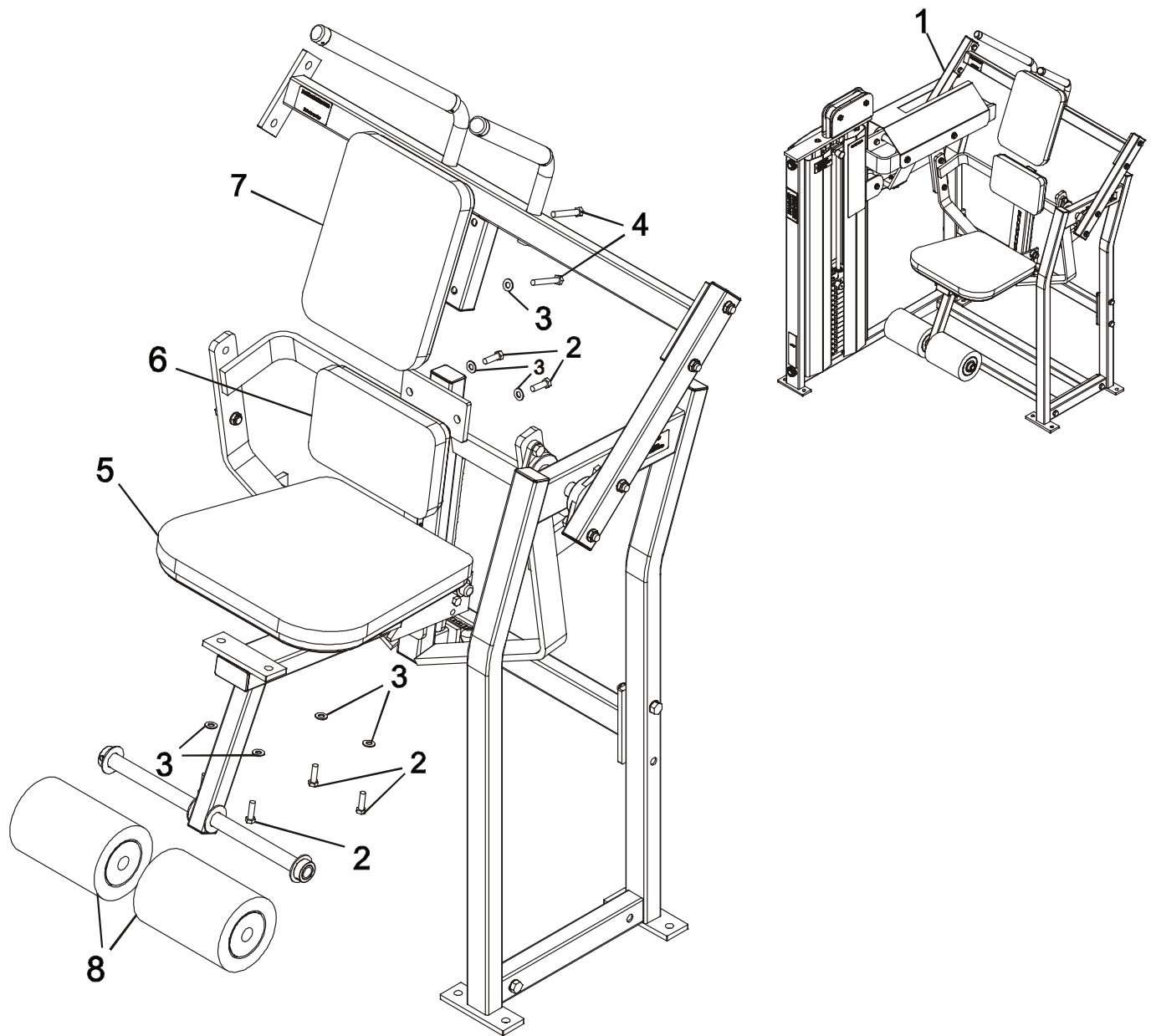
ITEM NO.	QTY.	PART NO.	DESCRIPTION
1	1	MTAB-S0007	Lower Movement-Arm
2	1	0K50-P1017	Seatrack Front
3	1	0K50-P1018	Seatrack Back
4	2	0017-00101-1572	1/2 X 2 1/2 Bolt
5	3	0017-00103-0224	1/2" Thin Lock Nut
6	2	0017-00042-0945	1 1/2 X 2 Endcap
7	1	0017-00009-1034	Small Bearing
8	1	0017-00101-1584	1/2 X 1 1/2 Bolt
9	1	0017-00104-0379	1/2" Internal Lock Washer
10	1	M051-00296-A000	SEAT ADJUSTMENT NUMBER STRIP

MTAB-Motion Technology Abdominal Press Upper Movement Arm



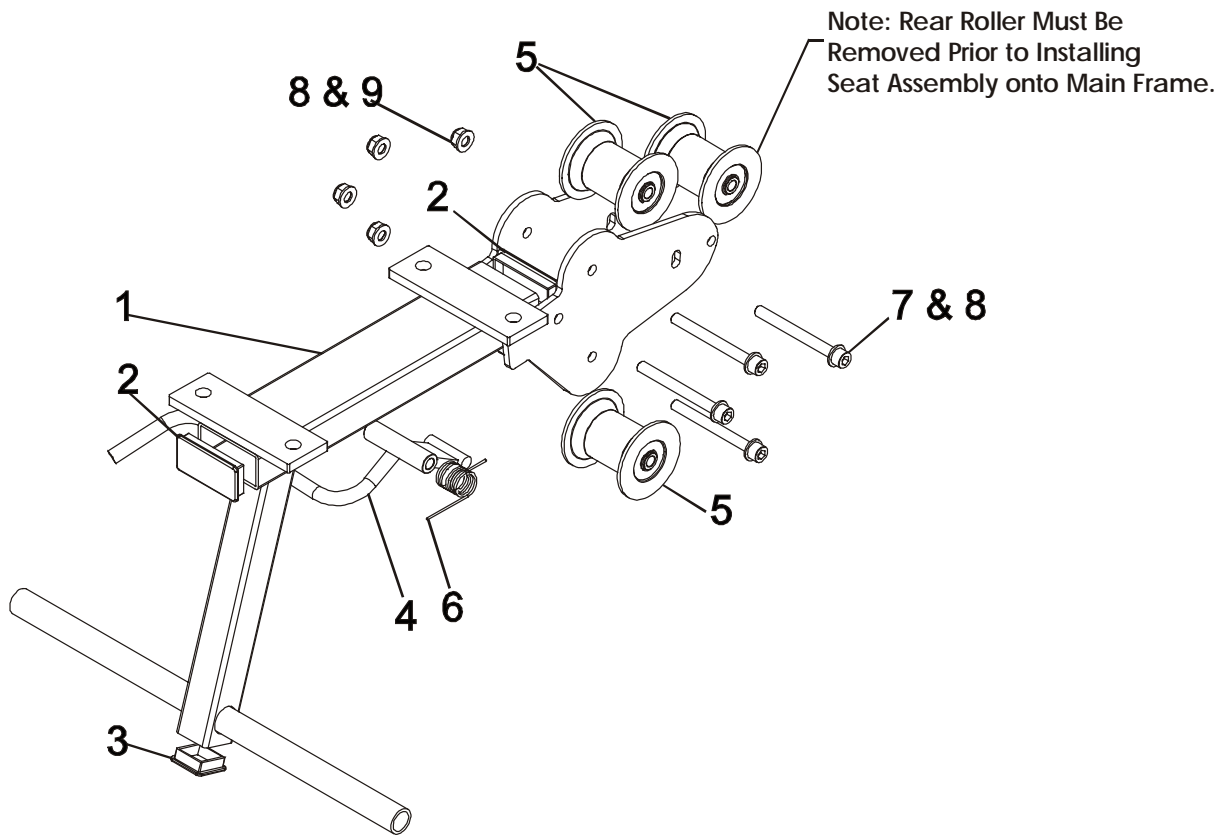
ITEM NO.	QTY.	PART NO.	DESCRIPTION
1	1	MTAB-S0005	Top Movement Arm
2	1	0017-00009-1034	Small Bearing
3	4	0017-00101-1572	1/2 X 2 1/2 Bolt
4	6	0017-00104-0379	1/2" Internal Lock Washer
5	4	0017-00103-0224	1/2" Thin Lock Nut
6	3	0017-00042-0945	1 1/2 X 2 Endcap
7	2	H-GRIP	HANDLE GRIP (12.50")
8	1	MTAB-P0038	ARM, RIGHT MOVEMENT
9	2	0K50-P0315-2000	END CAP
10	8	0017-00101-1406	10-32 X 1/8" SET SCREW
11	2	0K50-P0316-2000	COLLAR, ALUMINUM

MTAB-Motion Technology Abdominal Press PADS



ITEM NO.	QTY.	PART NO.	DESCRIPTION
1	1	MTAB-A0000	MTAB TOP ASSEMBLY
2	6	0017-00101-1412	3/8 X 1 1/4 Bolt
3	8	0017-00104-0377	3/8" Internal Lock Washer
4	2	0017-00101-1417	3/8 X 2 1/2 Bolt
5	1	0K50-US083-0000	SEAT PAD
6	1	0K50-US084-0000	LOWER SEAT BACK PAD
7	1	0K50-US085-0000	UPPER SEAT BACK PAD
8	2	0K50-US009-0000	ROLLER PAD

MTAB-Motion Technology Abdominal Press Seat Frame



ITEM NO	QTY.	PART NO.	DESCRIPTION
1	1	MTAB-S0012	MTAB SEAT FRAME
2	2	0017-00042-1038	1.5" X 3.0" PLASTIC END CAP
3	1	0017-00042-0944	1.5" X 1.5" PLASTIC END CAP
4	1	AK50-S0039-0000	WELDMENT, RELEASE LEVER
5	3	73763	ROLLER ASSM.
6	1	0017-00009-1110	TORSION SPRING, S.S.
7	4	0017-00101-1662	M10 X 64 HXS SOC CS ST ZN
8	8	0017-00104-0377	3/8" Internal Lock Washer
9	4	0017-00103-0289	10mm THIN NYLOC NUT